

STYLE 7S OP

DESCRIPTION

- SMD LED technology for indoor installation.
- Principally used in operating theatres.
- Hours, minutes and seconds display.
- Fixed or alternate time with date or week number display or timer display.
- Height of digits 7 cm (seconds: 5 cm), optimal viewing distance: 30 metres.
- Angle of vision: 120°.
- LED colours: red or green.
- Models: independent, impulse, AFNOR and NTP



STANDARDS

- EMC: - EN55032, EN55024.
- LVD: EN60950.
- RED (radio models): EN301-489-3.

TECHNICAL FEATURES OF THE CLOCK

GENERAL

- **Adjustable brightness**..... 4 levels.
- **Display mode**..... 12 or 24 hour.
- **Eco mode**..... Programmable energy saving over a time period.
- **Time change**..... Automatic summer/winter time changeover and perpetual calendar.
- **Time base backup**.....
 - Independent model: 15 days in case of power failure.
 - Impulse model: in case of power failure, data saving and impulses reception without battery.
 - Synchronised models: at each start the clocks wait for the synchronisation signal.
- **Time accuracy**..... 0,2 second/day (except NTP model: precision dependent on the time server).
- **Operation**..... Silent.
- **Digit**..... 7 segments with 4 LEDs (hours-minutes) and 7 segments with 3 LEDs (seconds).
- **Hours and minutes separating**..... Colon made of LEDs.
- **Configuration**..... 2 capacitive buttons.
- **NTP model**.....
 - Synchronisation unicast, multicast and by DHCP.
 - Advanced configuration from the embedded web server.

MECHANICAL

- **Construction**..... Stainless steel casing (IP65, IK07), glass cristal and keyboard compliant with operating theaters cleaning requirements.
- **Mounting**..... Flush mounting with 4 holes (screws not provided).
- **Operating temperature range**..... -5 to +55°C.
- **Weight**..... 2.2 Kg.
- **Dimensions**..... See on the back.

ELECTRICAL

- **Power supply**.....
 - Independent, impulse and AFNOR models: 100-240VAC.
 - NTP model: PoE (Power over Ethernet) – class 0.
- **Consumption max**..... 100-240 VAC ; 75-50mA.
NTP/PoE receiver; 4 W.
- **Electric protection**..... NTP/PoE model: Class 3.
Other Synchronisations: Class 2.

STYLE 7S OP REFERENCES (BY SYNCHRONISATION)



Red



Green

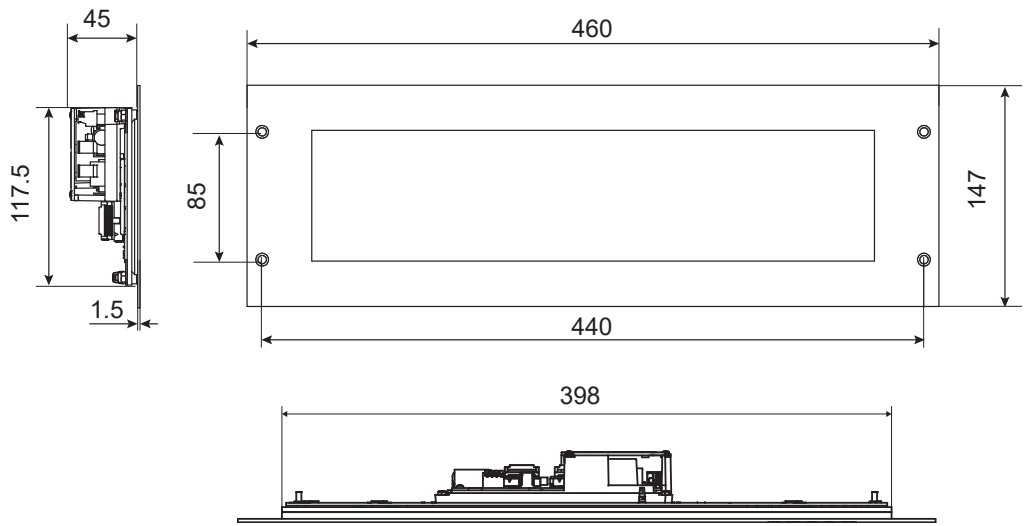
- | | | | | |
|---------|---------|-------------------|---------|-------------------------------|
| 946 C11 | 946 C12 | Independent model | 946 015 | Back cover for flush mounting |
| 946 C21 | 946 C22 | Impulse model | | |
| 946 C51 | 946 C52 | AFNOR model | | |
| 946 C71 | 946 C72 | NTP model | | |

Add a «C» at the end of the reference to include the Style Time Controller.
Ex.: 946 311C => Style 7S OP I ndependent with control unit – red L ED

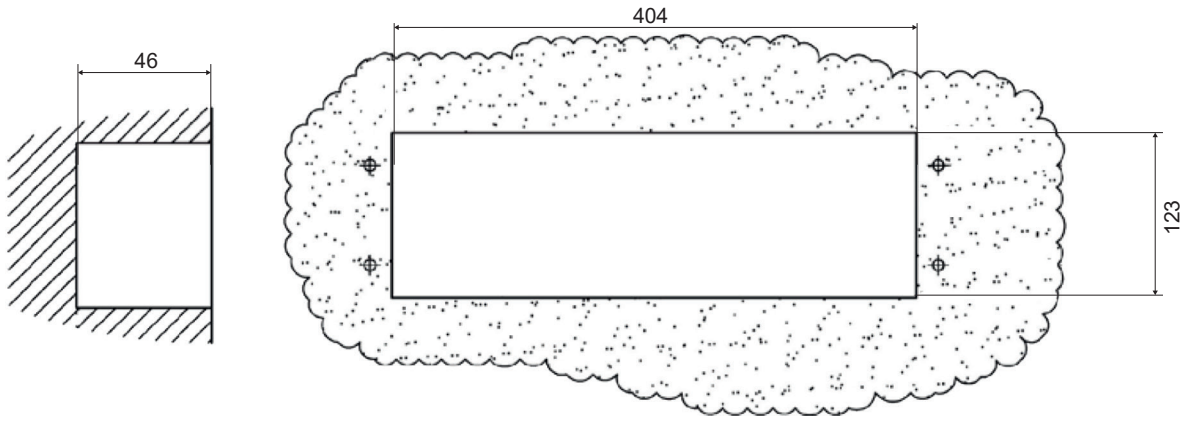


STYLE 75 OP

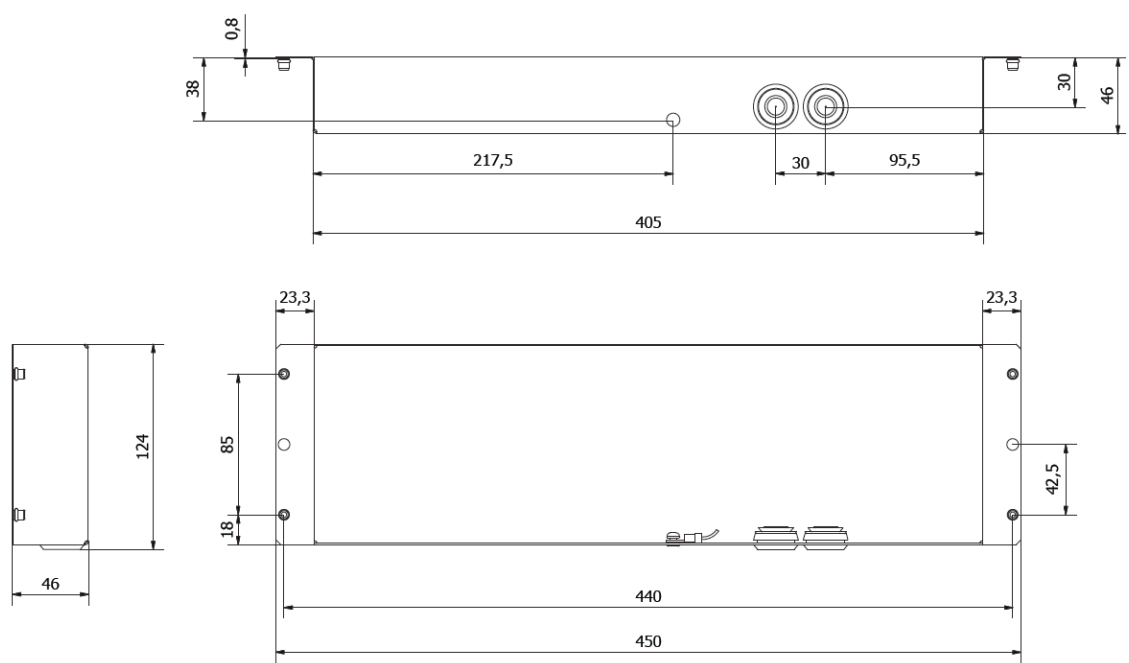
Clock dimensions in mm:



Wall cut-out dimensions in mm:



Flush mounting back cover dimensions in mm:



TECHNICAL FEATURES OF THE FLUSH STYLE TIMER CONTROLLER

GENERAL

- **Stopwatch**..... Hour - minute - second from 0 to 23:59:59.
- **Control unit**..... Waterproof control unit with touch sensitive keys for easy cleaning:
 - Time display mode key with LED indicator.
 - Stopwatch display mode key with LED indicator.
 - Timer display mode key with LED indicator.
 - Three keys (HOUR-MIN-SEC) for adjustment of hours, minutes and seconds
 - Start/stop key: successive pressings for start/stop of the stopwatch.
 - Split key: split time display during 5 seconds.
 - Reset key: resetting to zero of the stopwatch.
- **Control**..... Up to 10 clocks.

MECHANICAL

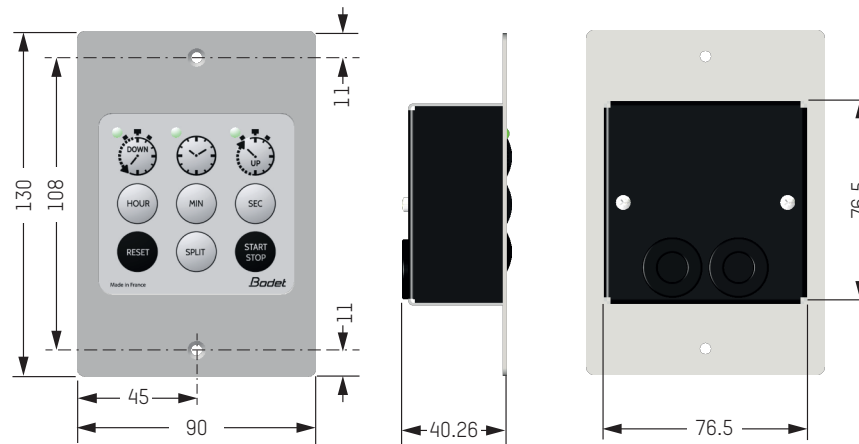
- **Binding**..... Flush mounting (screws not provided).
- **Operating temperature**..... -5 to 55°C.
- **Protection index**..... The front face IP 65.
- **Weight**..... 190 g.

ELECTRICAL

- **Connection**..... 2-pair telephone cable 0.5 mm. Max length: 20 meters.
5 m cable supplied with the controller.
- **Power supply**..... Power by the clock.



Style Timer Controller dimensions in mm:



Flush mounting dimensions in mm:

