

PRESENTATION

- Amplified PoE+ sounder with display and flash on IP network to provide clear and precise information.
 - Broadcast of bells, melodies, voice calls from microphone, lockdown alerts and streaming audio.
 - Time display.
 - Display of fixed messages or of 50 characters maximum scrolling text messages.
 - Remotely adjustable sound level, text display luminosity and flash brightness.
 - Possibility of making the alarms silent: text messages + flashes or messages only.
 - Indoor installation.



STANDARDS

- Applicable standards: EN 62368-1 - EN 55024 - EN 55032 - EN 55035 - EN 62311.

TECHNICAL CHARACTERISTICS

- Loud speaker..... 7 W
- Adjustable sound level..... 90db maximum at 1 meter
- Audio files format..... MP3
- Display..... 30x8 pixels - red LED matrix
- Adjustable flash brightness..... Maximum 60 candela/m² (white)
- Supervision..... SNMP v1 et v2c
- Protocols..... HTTP / DHCP / NTP /SNMP
- Test..... 1 button
- Power indicator..... Green LED
- Network status indicator..... Green/red LED

MECANICAL CHARACTERISTICS

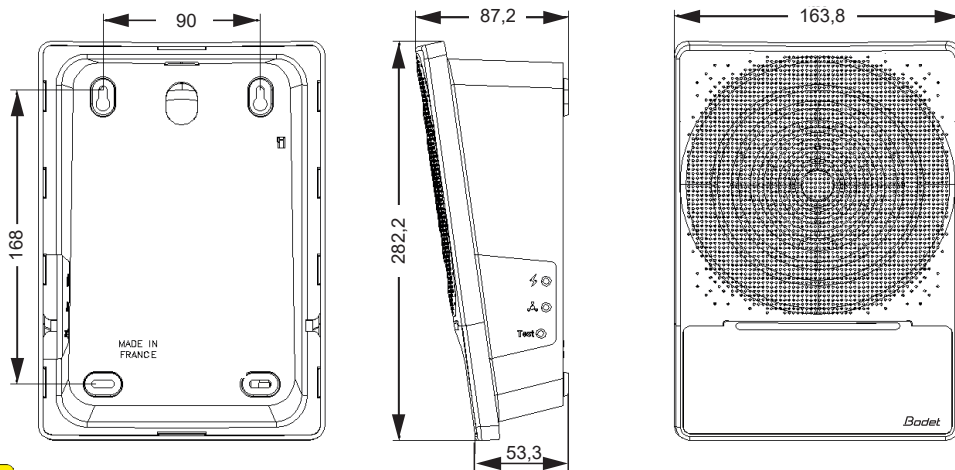
- Construction..... Front: ABS, Back: ABS/PC (IP 31/IK07).
- Operating temperature range..... 0° to +50°C.
- Mounting..... Wall
- Dimensions of the product..... see illustration below.
- Weight..... 700 g.

ELECTRICAL CHARACTERISTICS

- Power supply..... PoE+ (IEEE 802.3at)
- Power consumption..... Standby with time display OFF: 3 W
Standby with time display ON (HH:MM in 24H mode): 4 W
Standby with time display ON (HH:MM:SS in 24H mode): 4.5 W
Eco mode: 3 W
Melody+text+flash: 18 W max

REFERENCES

- 907 715..... Harmonys Trio



Dimensions en mm